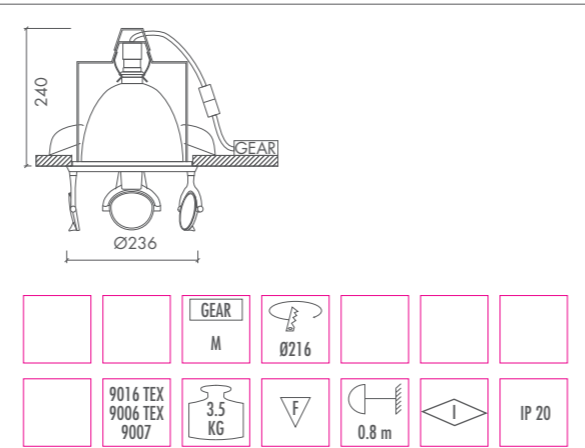


**ME-E COMFORT PLUS 3 NOVUS**

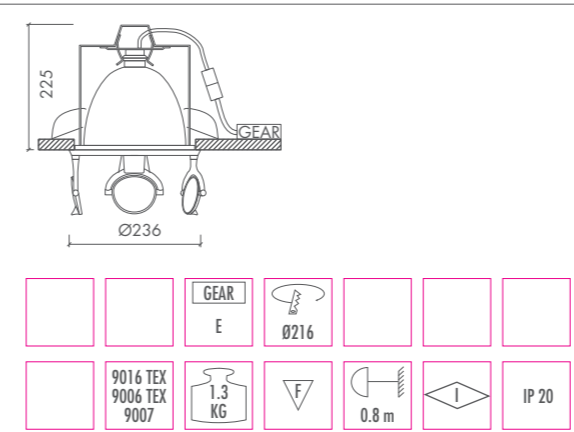


ME-E COMFORT PLUS 3 NOVUS • HST 50W / 100W  
• PG12-1



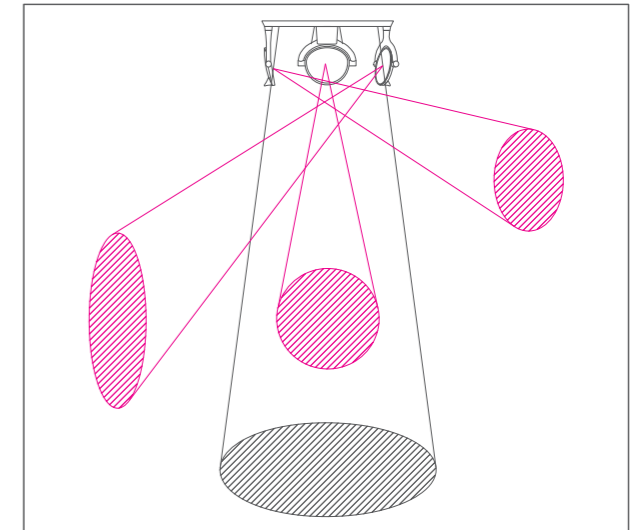
- Patented in BE, NL, LU, FR, IT
- Patent pending in DE

ME-E COMFORT PLUS 3 NOVUS • HST-TG 50W / 100W  
• GX12-1

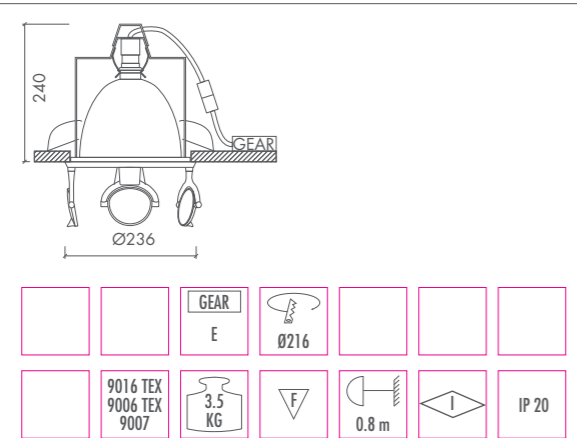


- Patented in BE, NL, LU, FR, IT
- Patent pending in DE

ME-E COMFORT PLUS 3 NOVUS  
• LIGHT CHARACTERISTICS

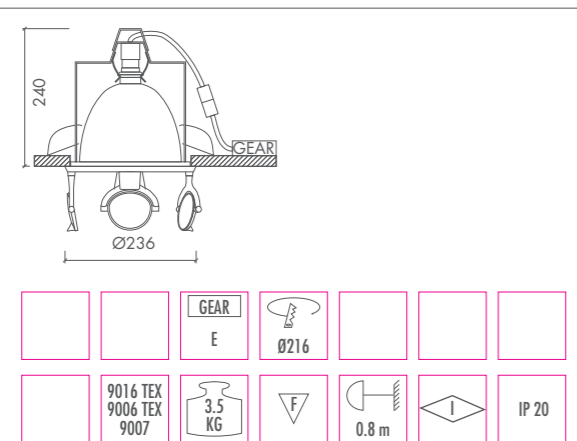


ME-E COMFORT PLUS 3 NOVUS • HIT 35W/ 50W /70W • G12



- Patented in BE, NL, LU, FR, IT
- Patent pending in DE

ME-E COMFORT PLUS 3 NOVUS • HST-EL 100W  
• PG12-1



- Patented in BE, NL, LU, FR, IT
- Patent pending in DE

