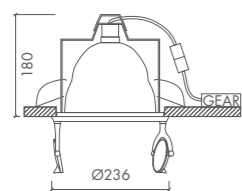


ATOMIC ME-E DYNAMIC NOVUS II



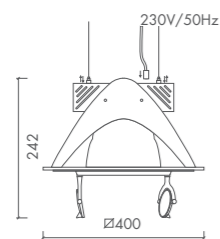
ATOMIC ME-E DYNAMIC NOVUS II • HIT 35W / 50W / 70W • G12



		GEAR		FIX		
		E		AT-41-4J		
	9016 TEX 9006 TEX 9007	4.2 KG	F	0.8 m	I	IP 20

- Standard with protection glass
- Patented in BE, NL, LU, FR, IT
- Patent pending in DE

ATOMIC ME-E DYNAMIC NOVUS II • HST-TG 50W / 100W • PX12-1



		GEAR		FIX		
		E		AT-41-4J		
	9016 TEX 9006 TEX 9007	4.2 KG	F	0.8 m	I	IP 20

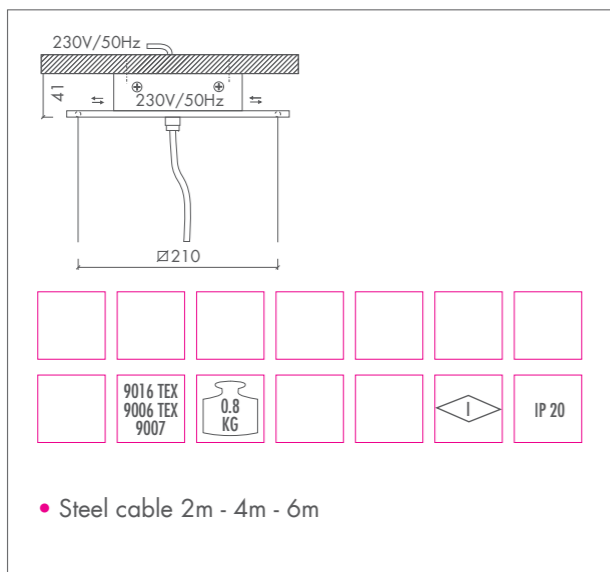
- Standard with protection glass
- Patented in BE, NL, LU, FR, IT
- Patent pending in DE



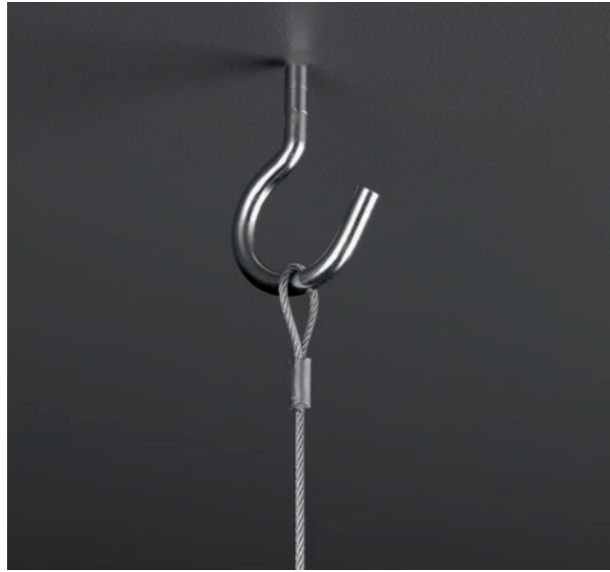
FIX AT



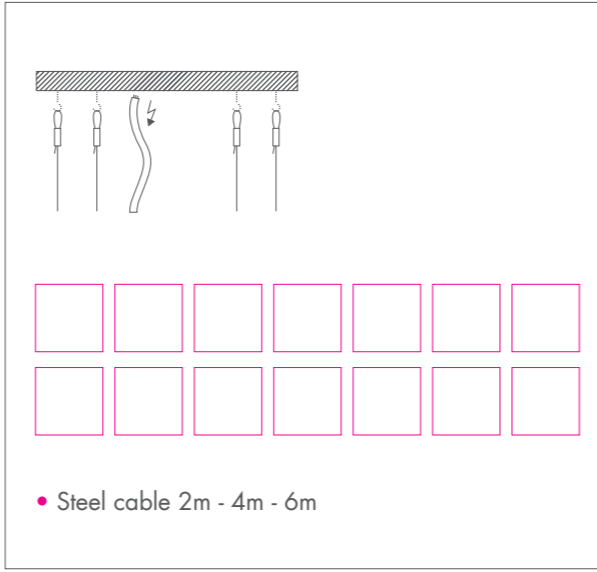
FIX AT



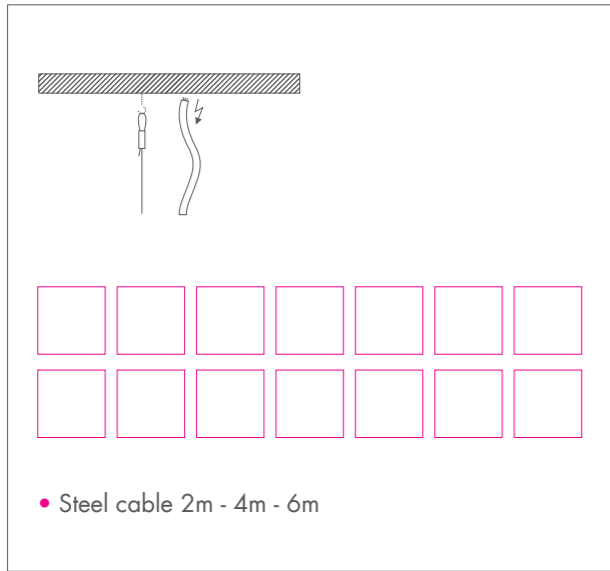
FIX I



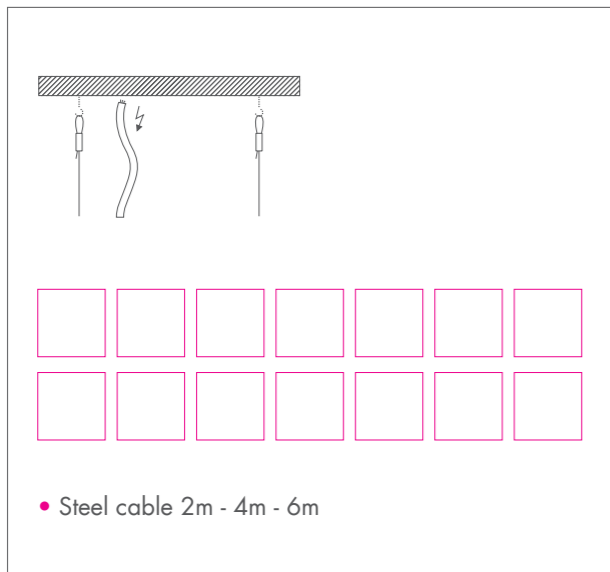
FIX 4I



FIX I



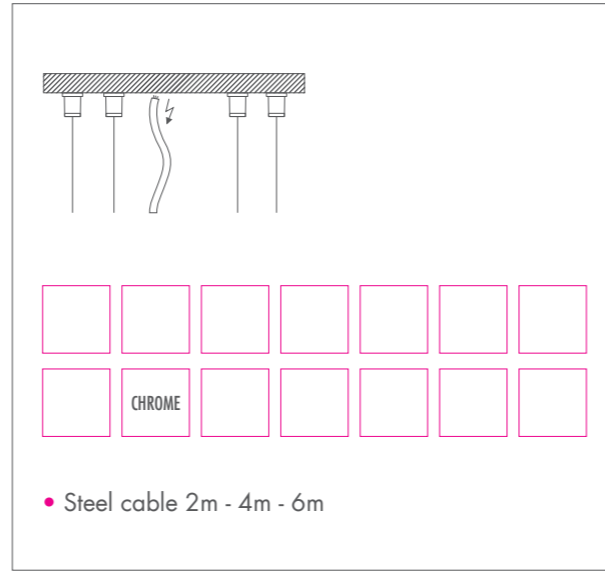
FIX 2I



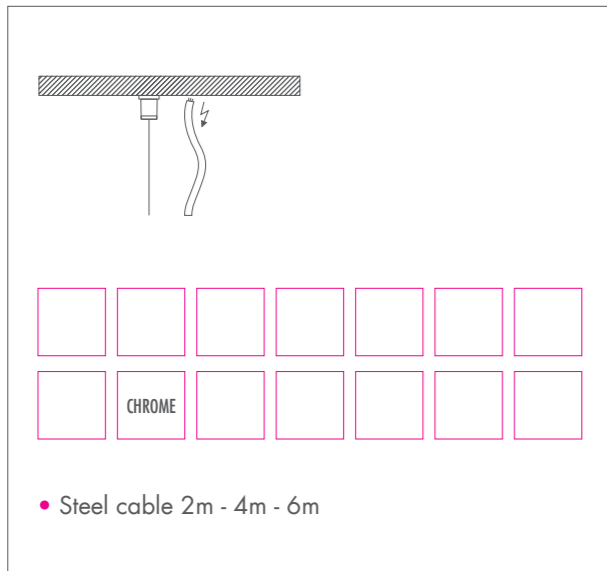
FIX J



FIX 4J



FIX J



FIX 2J

