

ATOMIC ME-E DYNAMIC BASIC



ATOMIC ME-E DYNAMIC BASIC • HIT 35W / 50W / 70W • G12

<input type="checkbox"/>	<input type="checkbox"/>	GEAR E	<input type="checkbox"/>	FIX AT-41-4J	<input type="checkbox"/>	<input type="checkbox"/>
<input type="checkbox"/>	9016 TEX 9006 TEX 9007	4.1 KG	F	0.8 m	I	IP 20

• Standard with protection glass

ATOMIC ME-E DYNAMIC BASIC • HST-TG 50W / 100W • PX12-1

<input type="checkbox"/>	<input type="checkbox"/>	GEAR E	<input type="checkbox"/>	FIX AT-41-4J	<input type="checkbox"/>	<input type="checkbox"/>
<input type="checkbox"/>	9016 TEX 9006 TEX 9007	4.1 KG	F	0.8 m	I	IP 20

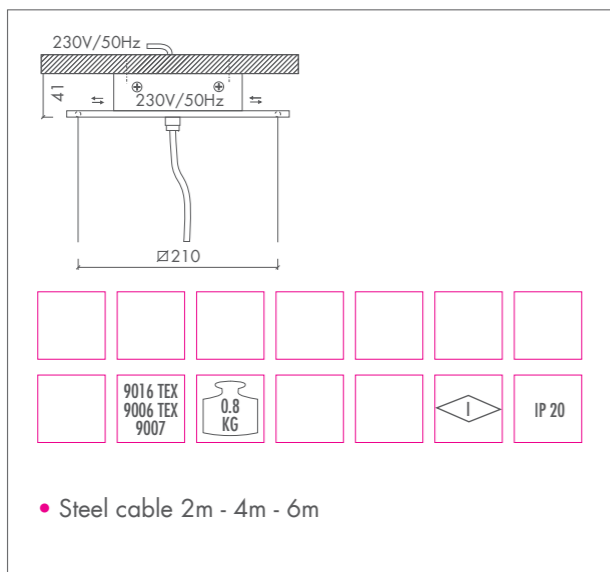
• Standard with protection glass



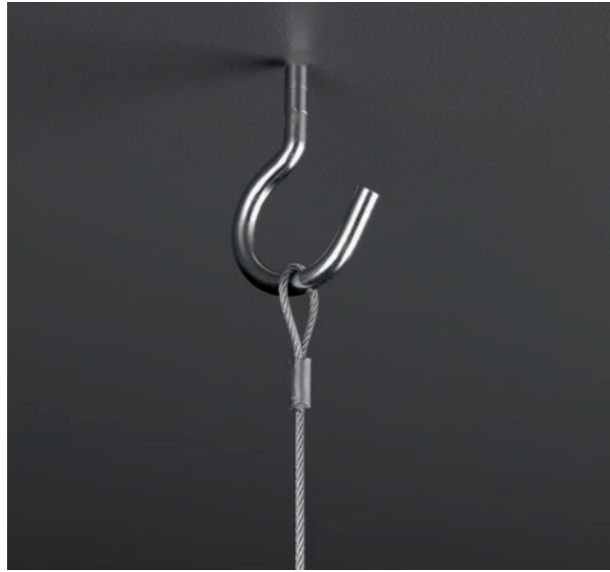
FIX AT



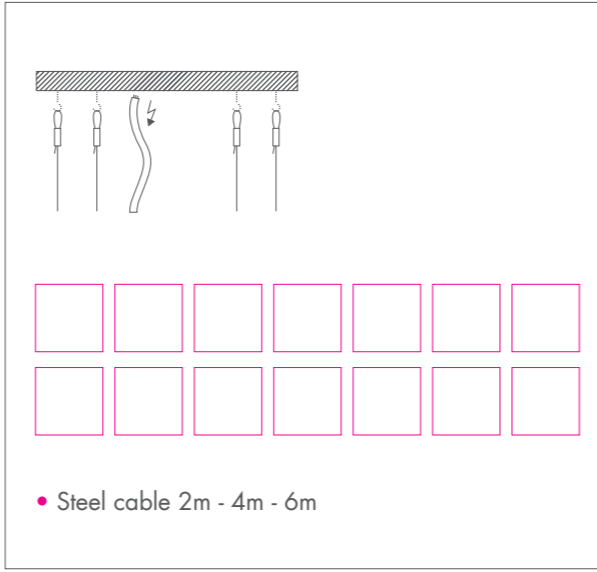
FIX AT



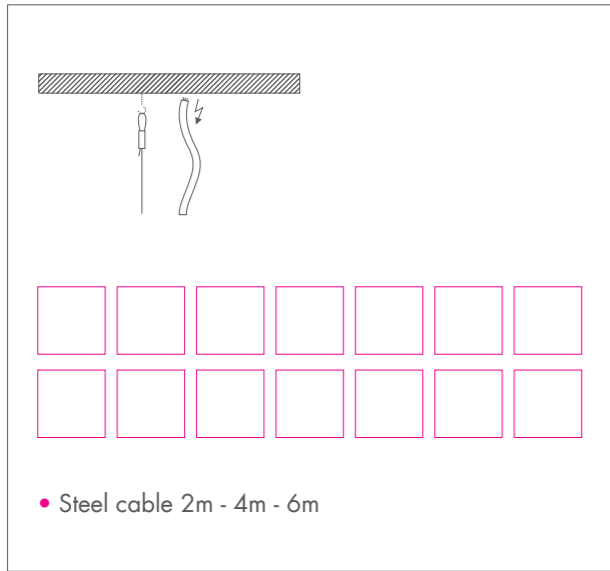
FIX I



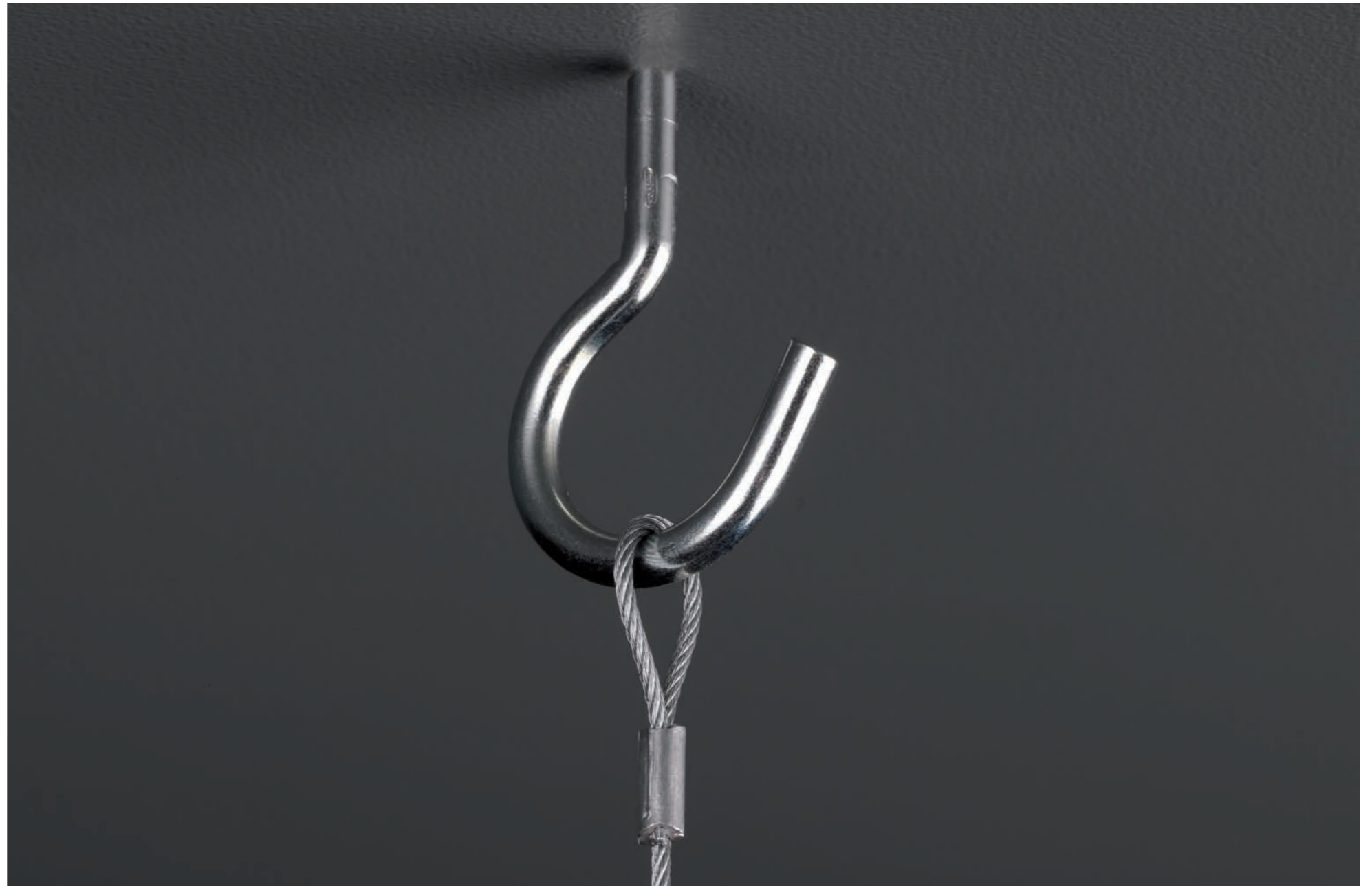
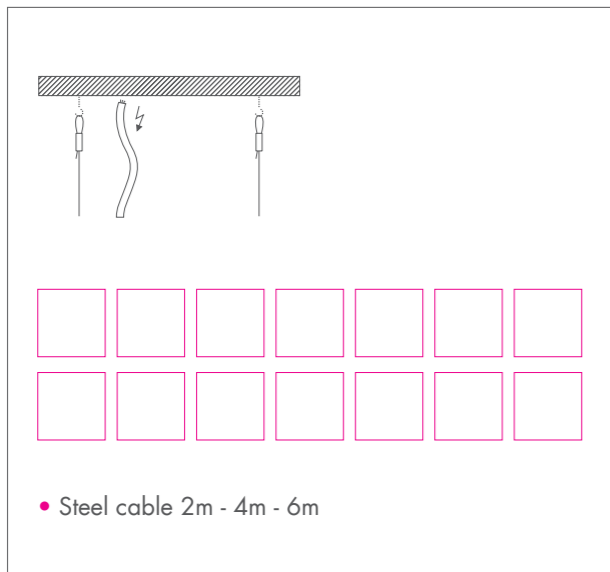
FIX 4I



FIX I



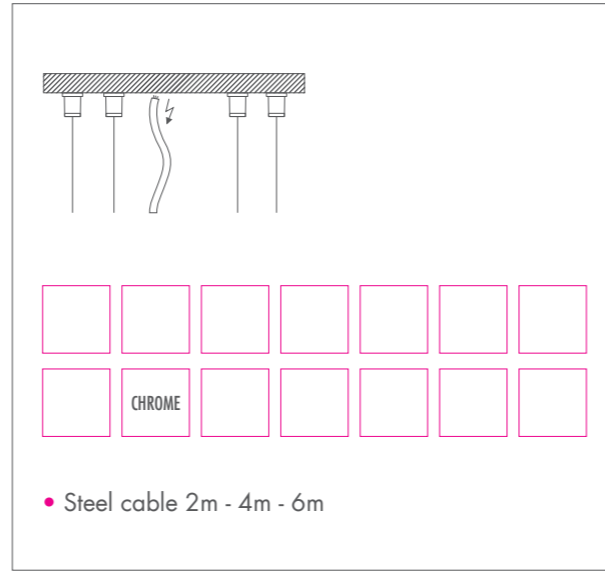
FIX 2I



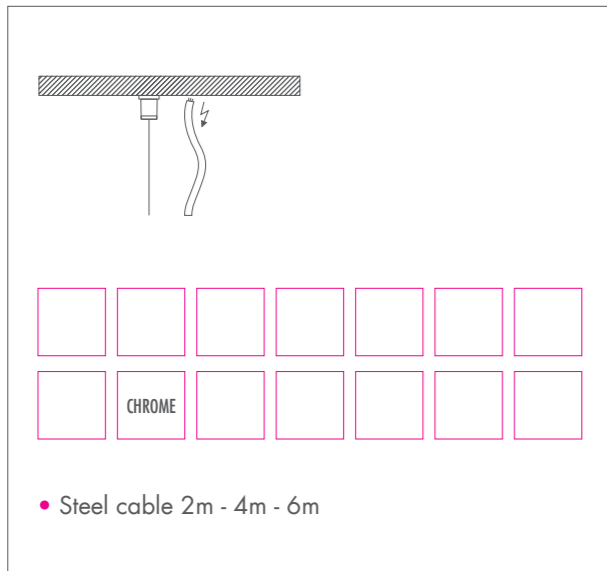
FIX J



FIX 4J



FIX J



FIX 2J

