

ATOMIC ME-E COMFORT PLUS 3 NOVUS

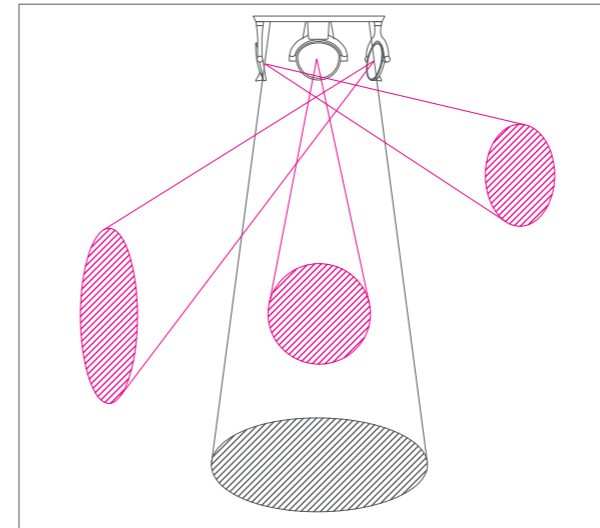


**ATOMIC ME-E COMFORT PLUS 3 NOVUS •
HST-TG 50W / 100W • GX12-1**

		GEAR		FIX		
		E		AT-4I-4J		
	9016 TEX 9006 TEX 9007	4.1KG	F	0.8 m	I	IP 20

- Patented in BE, NL, LU, FR, IT
- Patent pending in DE

**ATOMIC ME-E COMFORT PLUS 3 NOVUS •
LIGHT CHARACTERISTICS**



**ATOMIC ME-E COMFORT PLUS 3 NOVUS •
HIT 35W / 50W / 70W • G12**

		GEAR		FIX		
		E		AT-4I-4J		
	9016 TEX 9006 TEX 9007	6.3 KG	F	0.8 m	I	IP 20

- Patented in BE, NL, LU, FR, IT
- Patent pending in DE

**ATOMIC ME-E COMFORT PLUS 3 NOVUS •
HST-EL 100W • PG12-1**

		GEAR		FIX		
		E		AT-4I-4J		
	9016 TEX 9006 TEX 9007	6.3 KG	F	0.8 m	I	IP 20

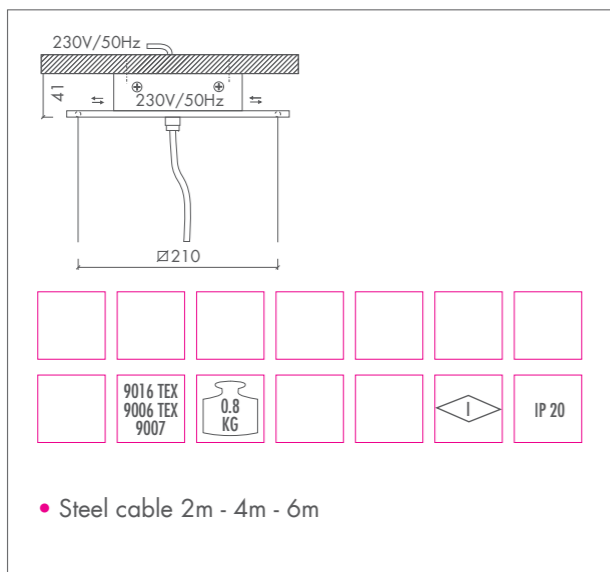
- Patented in BE, NL, LU, FR, IT
- Patent pending in DE



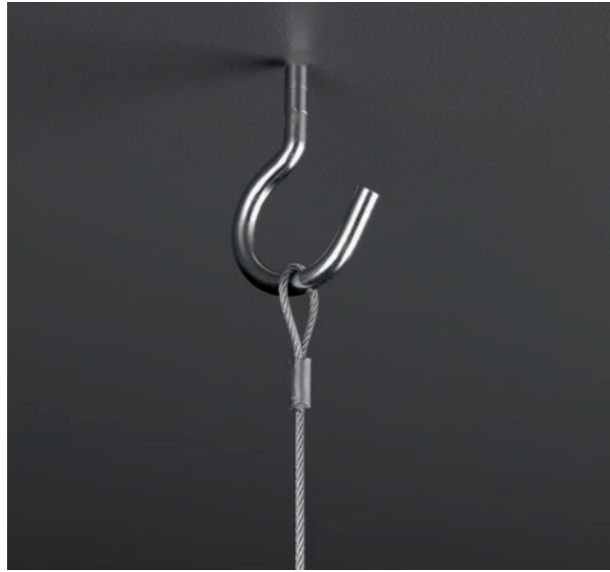
FIX AT



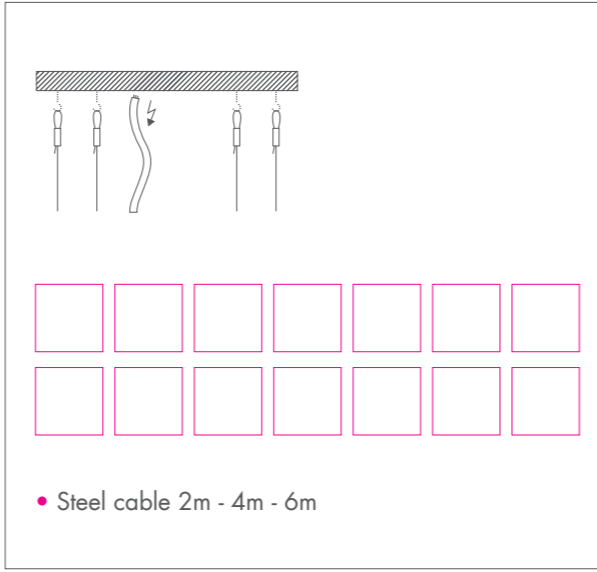
FIX AT



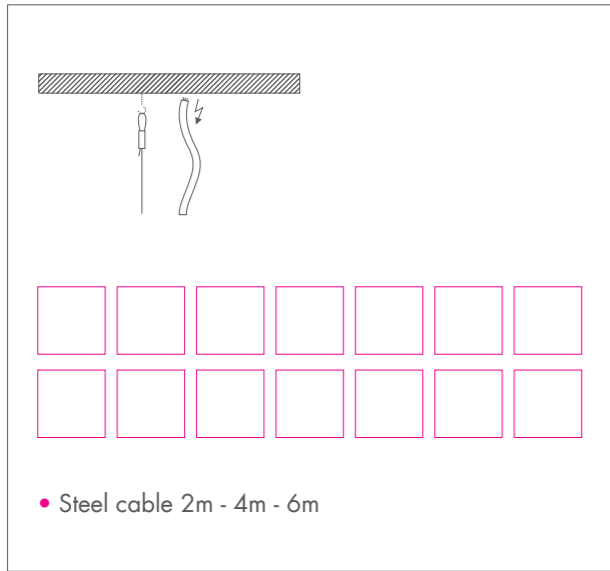
FIX I



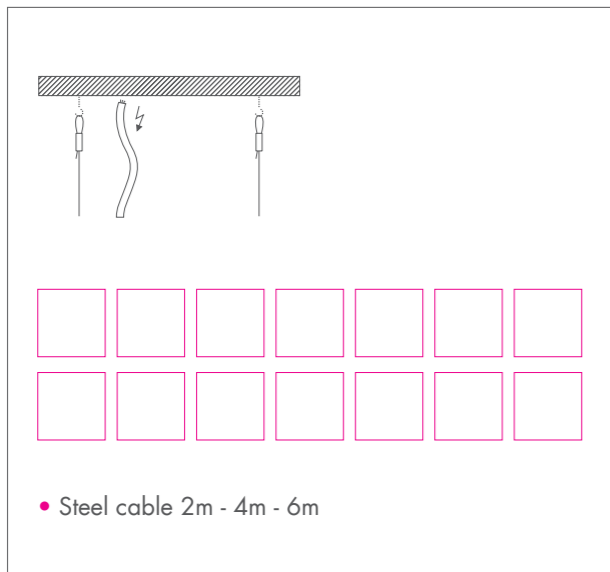
FIX 4I



FIX I



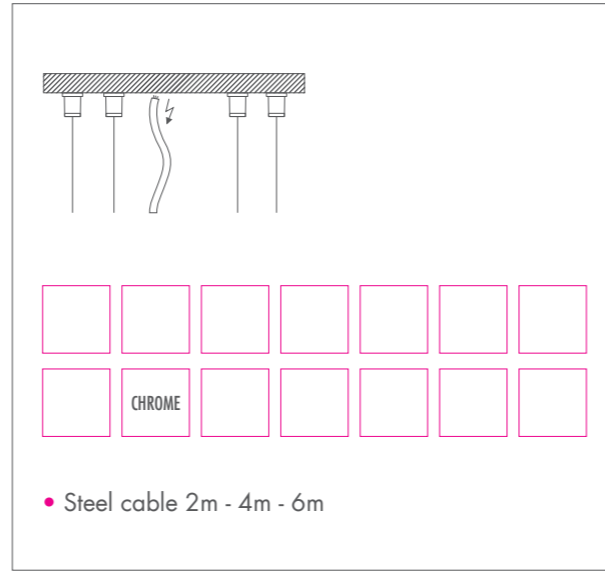
FIX 2I



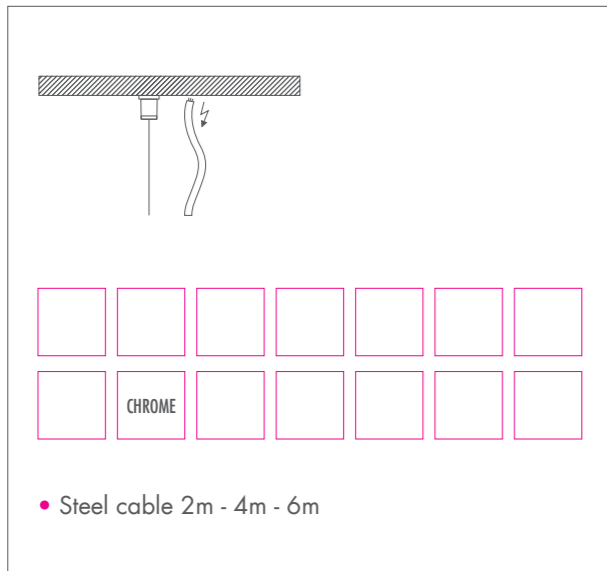
FIX J



FIX 4J



FIX J



FIX 2J

