



A close-up photograph of a pink leather jacket. The image shows the texture of the leather and a single button on the lapel. The lighting is soft, highlighting the grain of the material.

REFLEX design by MEGA

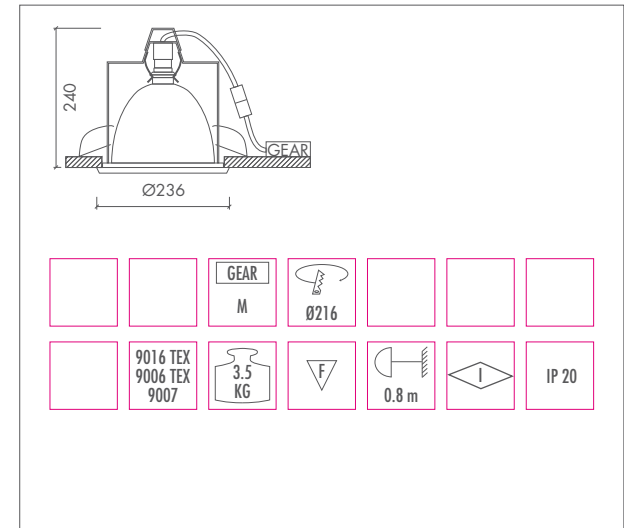
190 REFLEX



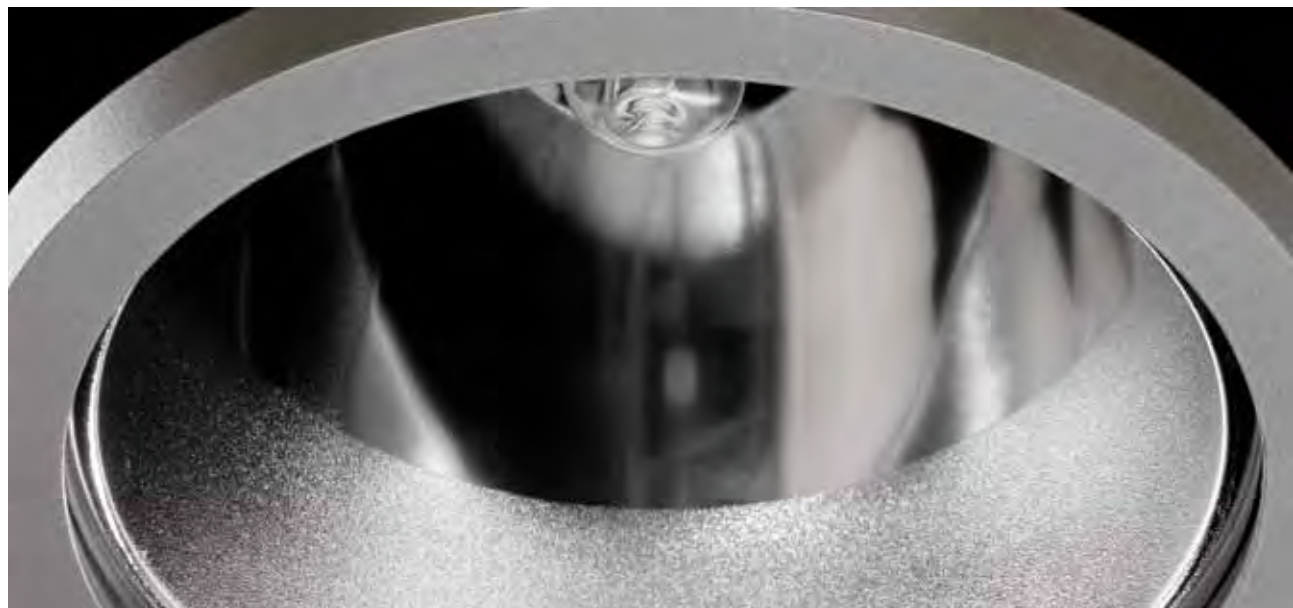
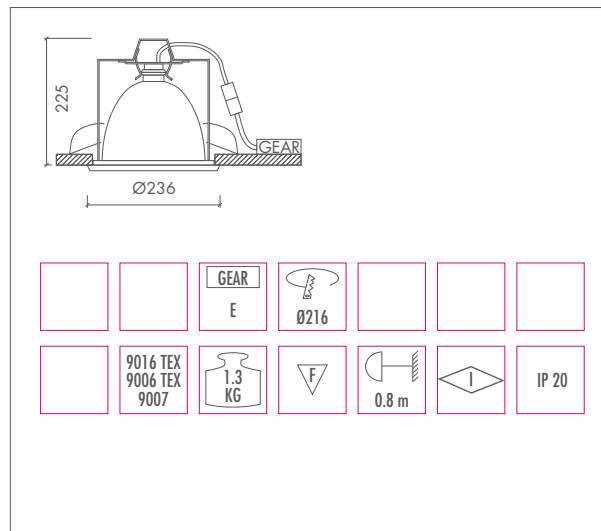
ME-E COMFORT PLUS BASIC



ME-E COMFORT PLUS BASIC • HST 50W / 100W
• PG12-1



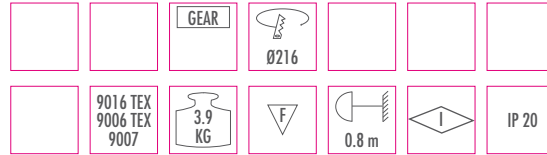
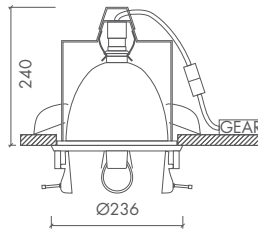
ME-E COMFORT PLUS BASIC • HST-TG 50W / 100W
• GX12-1



ME-E COMFORT PLUS 3

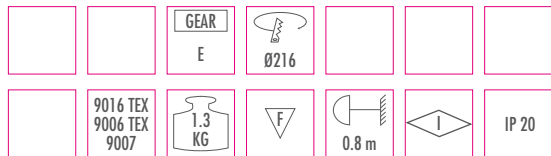
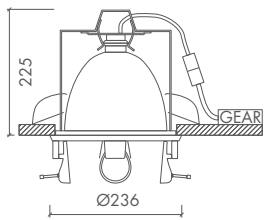


ME-E COMFORT PLUS 3 • HST 50W / 100W
• PG12-1



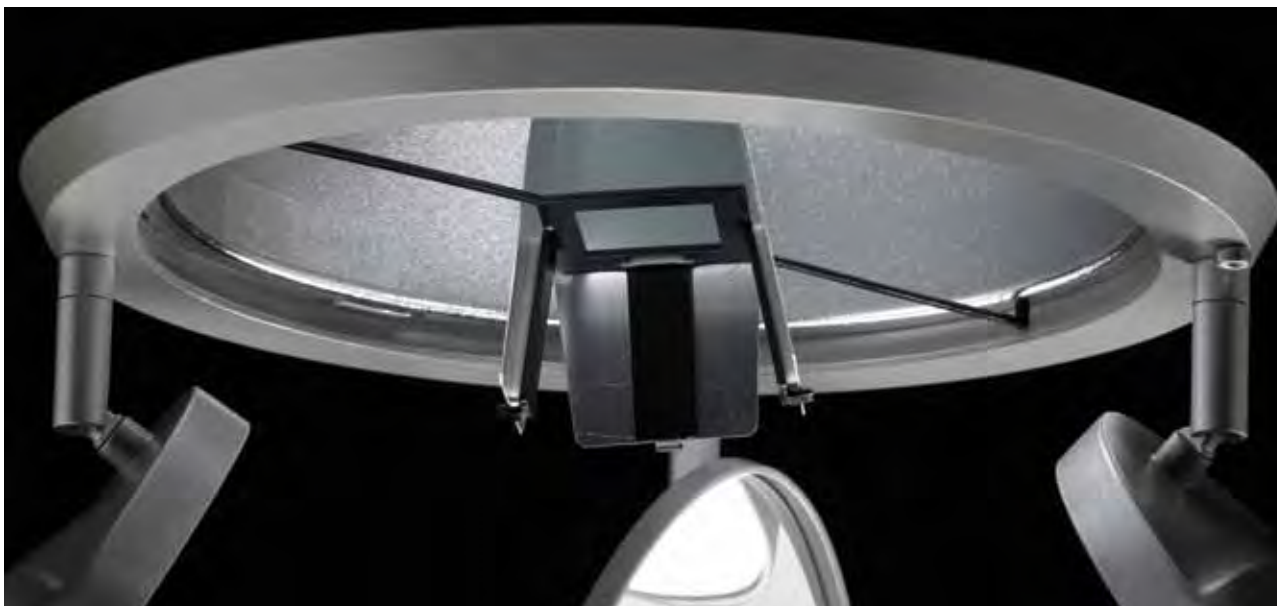
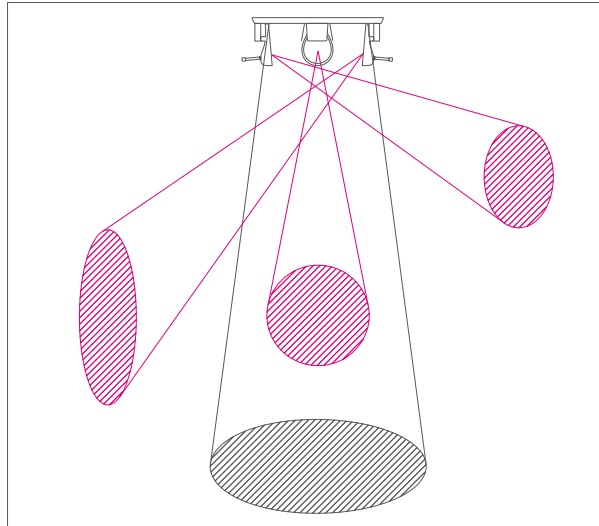
- Patented in BE, NL, LU, FR, IT
- Patent pending in DE

ME-E COMFORT PLUS 3 • HST-TG 50W / 100W
• GX12-1



- Patented in BE, NL, LU, FR, IT
- Patent pending in DE

ME-E COMFORT PLUS 3
• LIGHT CHARACTERISTICS

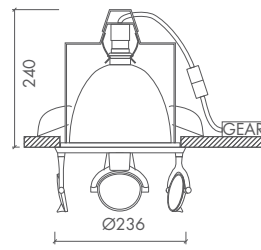


191 REFLEX

ME-E COMFORT PLUS 3 NOVUS



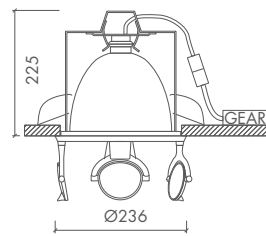
ME-E COMFORT PLUS 3 NOVUS • HST 50W / 100W
• PG12-1



		GEAR M	Ø216			
	9016 TEX 9006 TEX 9007	3.5 KG	F	0.8 m	I	IP 20

- Patented in BE, NL, LU, FR, IT
- Patent pending in DE

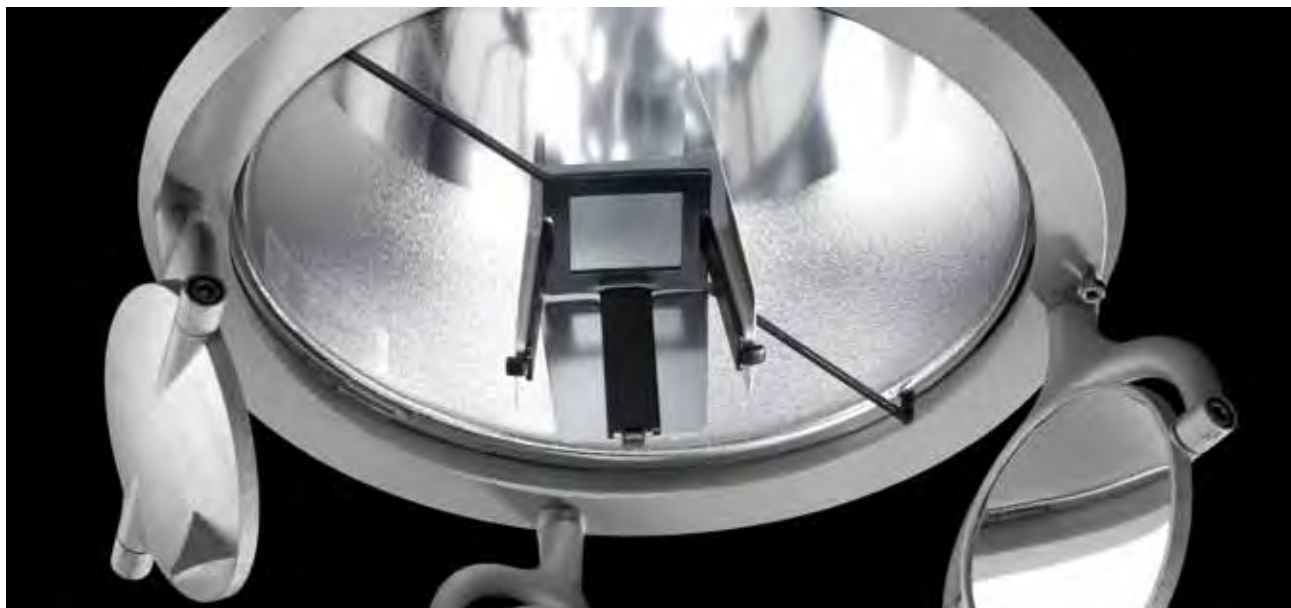
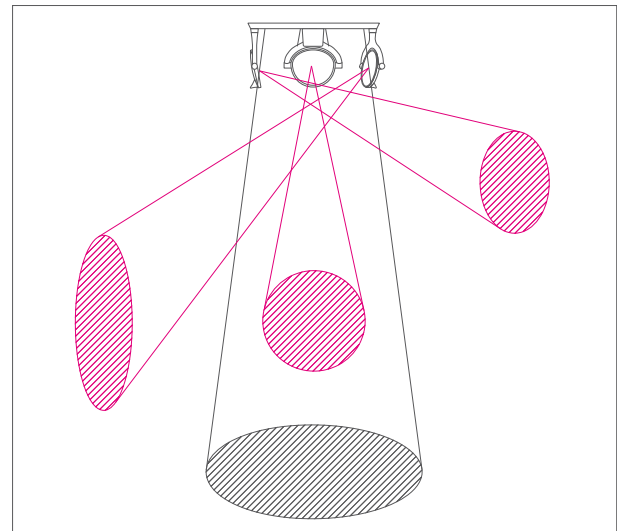
ME-E COMFORT PLUS 3 NOVUS • HST-TG 50W / 100W
• GX12-1



		GEAR E	Ø216			
	9016 TEX 9006 TEX 9007	1.3 KG	F	0.8 m	I	IP 20

- Patented in BE, NL, LU, FR, IT
- Patent pending in DE

ME-E COMFORT PLUS 3 NOVUS
• LIGHT CHARACTERISTICS







ME-E DYNAMIC BASIC



ME-E DYNAMIC BASIC • HIT 35W / 70W • G12

		GEAR E	Ø216			
	9016 TEX 9006 TEX 9007	2.0 KG	F	0.8 m	IP 20	

- Standard with safety glass

ME-E DYNAMIC BASIC • HST-TG 50W / 100W
• GX12-1

		GEAR E	Ø216			
	9016 TEX 9006 TEX 9007	1.9 KG	F	0.8 m	IP 20	

- Standard with safety glass



ME-E DYNAMIC NOVUS II



ME-E DYNAMIC NOVUS II • HIT 35W / 70W • G12

		GEAR E	Ø216			
	9016 TEX 9006 TEX 9007	2.1 KG	F	0.8 m	I	IP 20

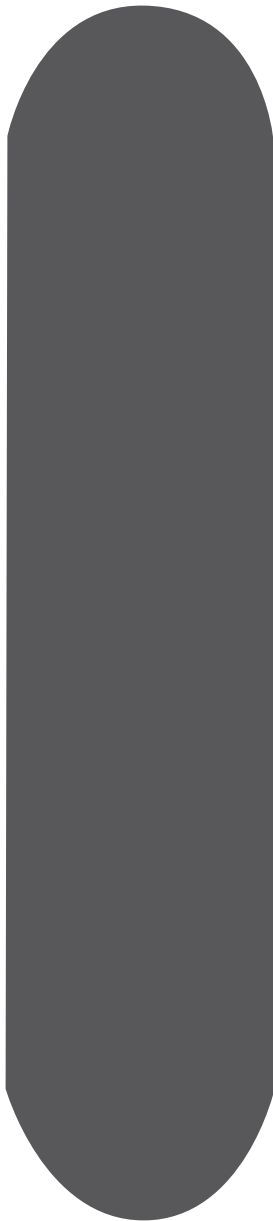
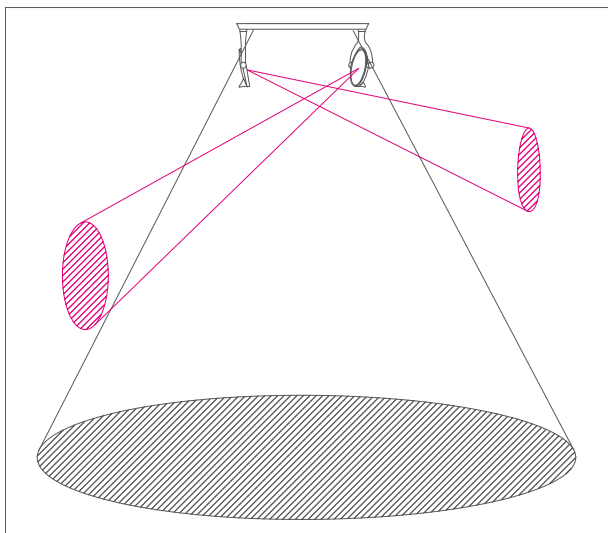
- Standard with safety glass
- Patented in BE, NL, LU, FR, IT
- Patent pending in DE

ME-E DYNAMIC NOVUS II • HST-TG 50W / 100W
• GX12-1

		GEAR E	Ø216			
	9016 TEX 9006 TEX 9007	2.0 KG	F	0.8 m	I	IP 20

- Standard with safety glass
- Patented in BE, NL, LU, FR, IT
- Patent pending in DE

ME-E DYNAMIC NOVUS II • LIGHT CHARACTERISTICS



195 REFLEX



Sport 2000 • Middelburg • the Netherlands • Lighting design by Mega

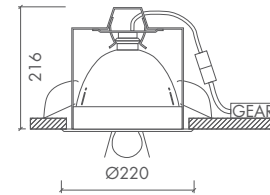




ME-E FORMA 3



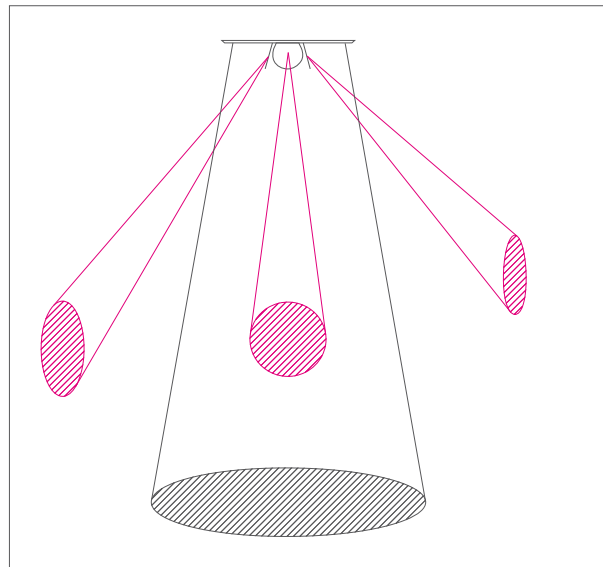
ME-E FORMA 3 • HIT 35W / 70W • G12



		GEAR E	Ø205			
	9016 TEX 9006 TEX 9007	2.0 KG	F	0.8 m	I	IP 20

- Gold-coated reflector available
- Standard with protection glass

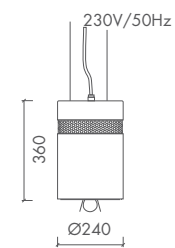
ME-E FORMA 3 • LIGHT CHARACTERISTICS



SUSPENSION I ME-E FORMA 3



SUSPENSION I ME-E FORMA 3 • HIT 35W / 70W • G12



		GEAR E		FIX 2I-2I-P-2T		
	9016 TEX 9006 TEX 9007	4.9 KG	F	0.8 m	I	IP 20

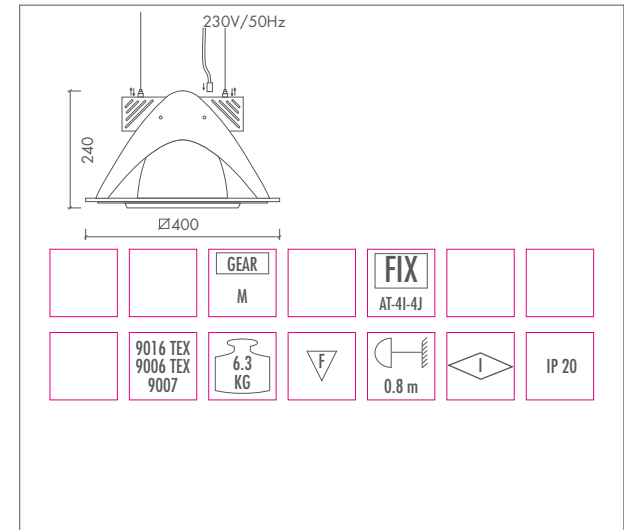
- Gold-coated reflector available
- Standard with protection glass



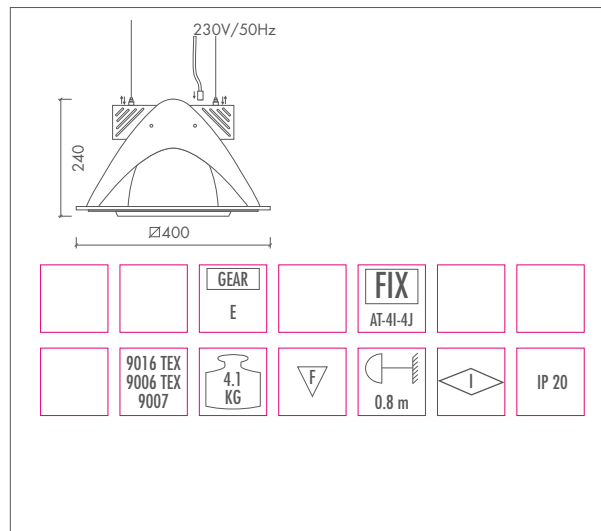
ATOMIC ME-E COMFORT PLUS BASIC



ATOMIC ME-E COMFORT PLUS BASIC • HST 50W / 100W • PG12-1



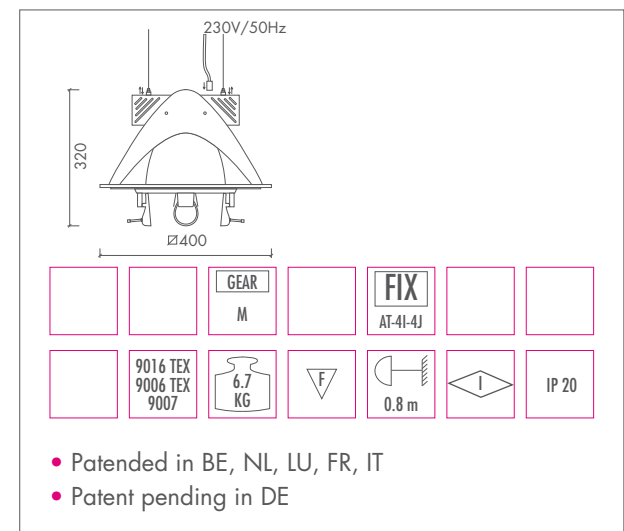
ATOMIC ME-E COMFORT PLUS BASIC • HST-TG 50W / 100W • PX12-1



ATOMIC ME-E COMFORT PLUS 3



ATOMIC ME-E COMFORT PLUS 3 • HST 50W / 100W • PG12-1

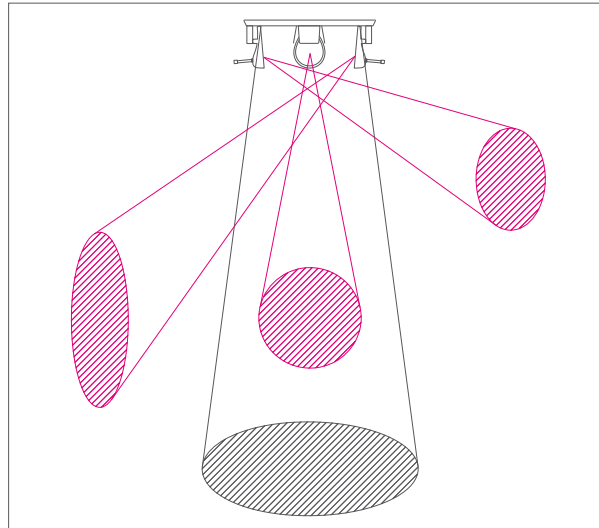


ATOMIC ME-E COMFORT PLUS 3 • HST-TG 50W / 100W • GX12-1

		GEAR E		FIX AT-4I-4J		
	9016 TEX 9006 TEX 9007	4.1 KG	F	0.8 m	I	IP 20

- Patented in BE, NL, LU, FR, IT
- Patent pending in DE

ATOMIC ME-E COMFORT PLUS 3
• LIGHT CHARACTERISTICS



ATOMIC ME-E COMFORT PLUS 3 NOVUS



ATOMIC ME-E COMFORT PLUS 3 NOVUS • HST 50W / 100W • PG12-1

		GEAR M		FIX AT-4I-4J		
	9016 TEX 9006 TEX 9007	6.3 KG	F	0.8 m	I	IP 20

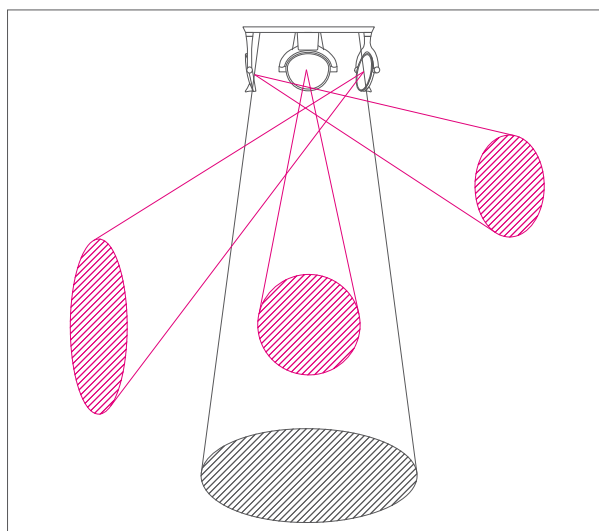
- Patented in BE, NL, LU, FR, IT
- Patent pending in DE

ATOMIC ME-E COMFORT PLUS 3 NOVUS • HST-TG 50W / 100W • GX12-1

		GEAR E		FIX AT-4I-4J		
	9016 TEX 9006 TEX 9007	4.1 KG	F	0.8 m	I	IP 20

- Patented in BE, NL, LU, FR, IT
- Patent pending in DE

ATOMIC ME-E COMFORT PLUS 3 NOVUS
• LIGHT CHARACTERISTICS



ATOMIC ME-E DYNAMIC BASIC



ATOMIC ME-E DYNAMIC BASIC • HIT 35W / 70W • G12

		GEAR E		FIX AT-4I-4J		
	9016 TEX 9006 TEX 9007	4.1 KG	F	0.8 m	I	IP 20

- Standard with protection glass

ATOMIC ME-E DYNAMIC BASIC • HST-TG 50W / 100W • PX12-1

		GEAR E		FIX AT-4I-4J		
	9016 TEX 9006 TEX 9007	4.1 KG	F	0.8 m	I	IP 20

- Standard with protection glass

ATOMIC ME-E DYNAMIC NOVUS II



ATOMIC ME-E DYNAMIC NOVUS II • HIT 35W / 70W • G12

		GEAR E		FIX AT-4I-4J		
	9016 TEX 9006 TEX 9007	4.2 KG	F	0.8 m	I	IP 20

- Standard with protection glass
- Patented in BE, NL, LU, FR, IT
- Patent pending in DE

ATOMIC ME-E DYNAMIC NOVUS II • HST-TG 50W / 100W • PX12-1

		GEAR E		FIX AT-4I-4J		
	9016 TEX 9006 TEX 9007	4.2 KG	F	0.8 m	I	IP 20

- Standard with protection glass
- Patented in BE, NL, LU, FR, IT
- Patent pending in DE



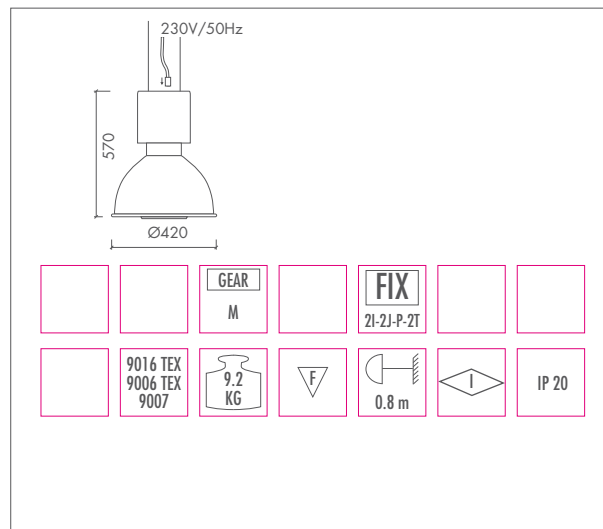
Eijerkamp woonze • Apeldoorn • the Netherlands • Lighting design by Mega



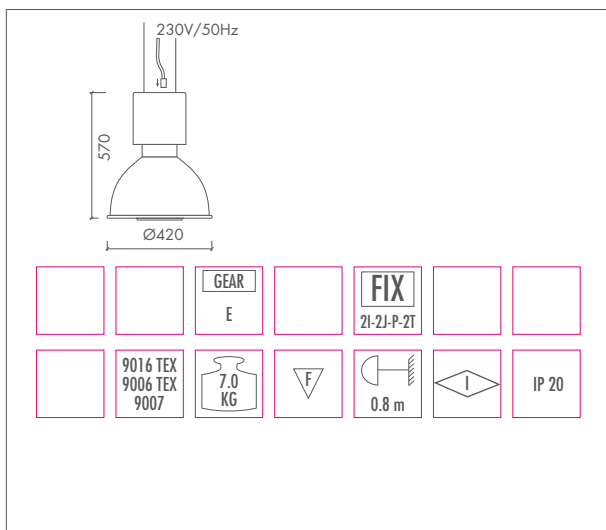
ALUMIO ME-E COMFORT PLUS BASIC



ALUMIO ME-E COMFORT PLUS BASIC •
HST 50W / 100W • PG12-1



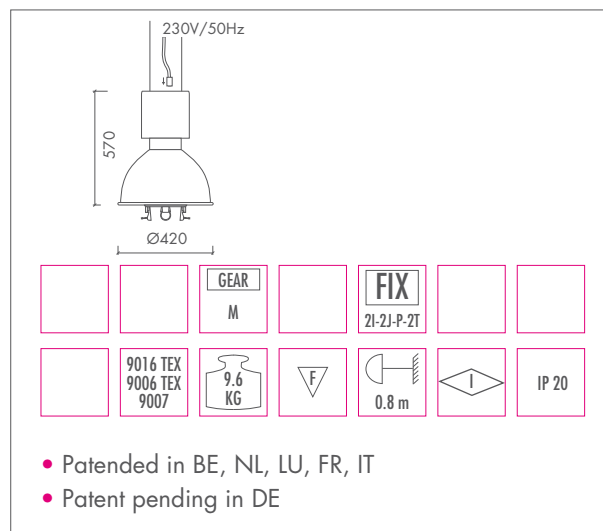
ALUMIO ME-E COMFORT PLUS BASIC •
HST-TG 50W / 100W • GX12-1



ALUMIO ME-E COMFORT PLUS 3



ALUMIO ME-E COMFORT PLUS 3 •
HST 50W / 100W • PG12-1

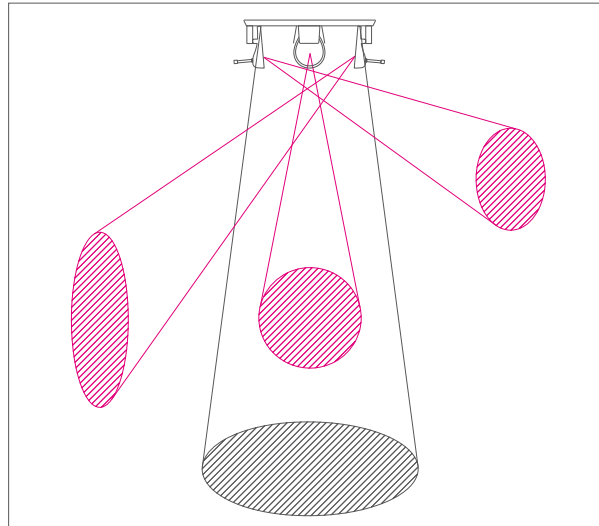


ALUMIO ME-E COMFORT PLUS 3 •
HST-TG 50W / 100W • GX12-1

		GEAR E		FIX 21-21-P-2T		
	9016 TEX 9006 TEX 9007	7.0 KG	F	0.8 m	I	IP 20

- Patented in BE, NL, LU, FR, IT
- Patent pending in DE

ALUMIO ME-E COMFORT PLUS 3
• LIGHT CHARACTERISTICS



ALUMIO ME-E COMFORT PLUS 3 NOVUS



ALUMIO ME-E COMFORT PLUS 3 NOVUS • HST
50W / 100W • PG12-1

		GEAR M		FIX 21-21-P-2T		
	9016 TEX 9006 TEX 9007	9.2 KG	F	0.8 m	I	IP 20

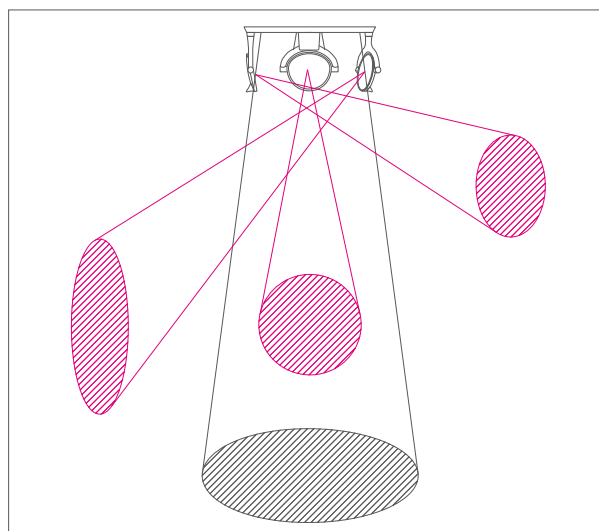
- Patented in BE, NL, LU, FR, IT
- Patent pending in DE

ALUMIO ME-E COMFORT PLUS 3 NOVUS •
HST-TG 50W / 100W • GX12-1

		GEAR E		FIX 21-21-P-2T		
	9016 TEX 9006 TEX 9007	7.0 KG	F	0.8 m	I	IP 20

- Patented in BE, NL, LU, FR, IT
- Patent pending in DE

ALUMIO ME-E COMFORT PLUS 3 NOVUS
• LIGHT CHARACTERISTICS



205 REFLEX





ALUMIO ME-E DYNAMIC BASIC



ALUMIO ME-E DYNAMIC BASIC •
HIT 35W / 70W • G12

		GEAR E		FIX 2I-2J-P-2T		
	9016 TEX 9006 TEX 9007	7.1 KG	F	0.8 m	I	IP 20

- Standard with protection glass

ALUMIO ME-E DYNAMIC BASIC •
HST-TG 50W / 100W • GX12-1

		GEAR E		FIX 2I-2J-P-2T		
	9016 TEX 9006 TEX 9007	7.0 KG	F	0.8 m	I	IP 20

- Standard with protection glass

ALUMIO ME-E DYNAMIC NOVUS II



ALUMIO ME-E DYNAMIC NOVUS II •
HIT 35W / 70W • G12

		GEAR E		FIX 2I-2J-P-2T		
	9016 TEX 9006 TEX 9007	7.2 KG	F	0.8 m	I	IP 20

- Standard with protection glass
- Patented in BE, NL, LU, FR, IT
- Patent pending in DE

ALUMIO ME-E DYNAMIC NOVUS II •
HST-TG 50W / 100W • GX12-1

		GEAR E		FIX 2I-2J-P-2T		
	9016 TEX 9006 TEX 9007	7.2 KG	F	0.8 m	I	IP 20

- Standard with protection glass
- Patented in BE, NL, LU, FR, IT
- Patent pending in DE



Habufa • Hapert • the Netherlands • Lighting design by Mega